



YLI ELECTRONIC

# Standard-type Electric Strike with Signal

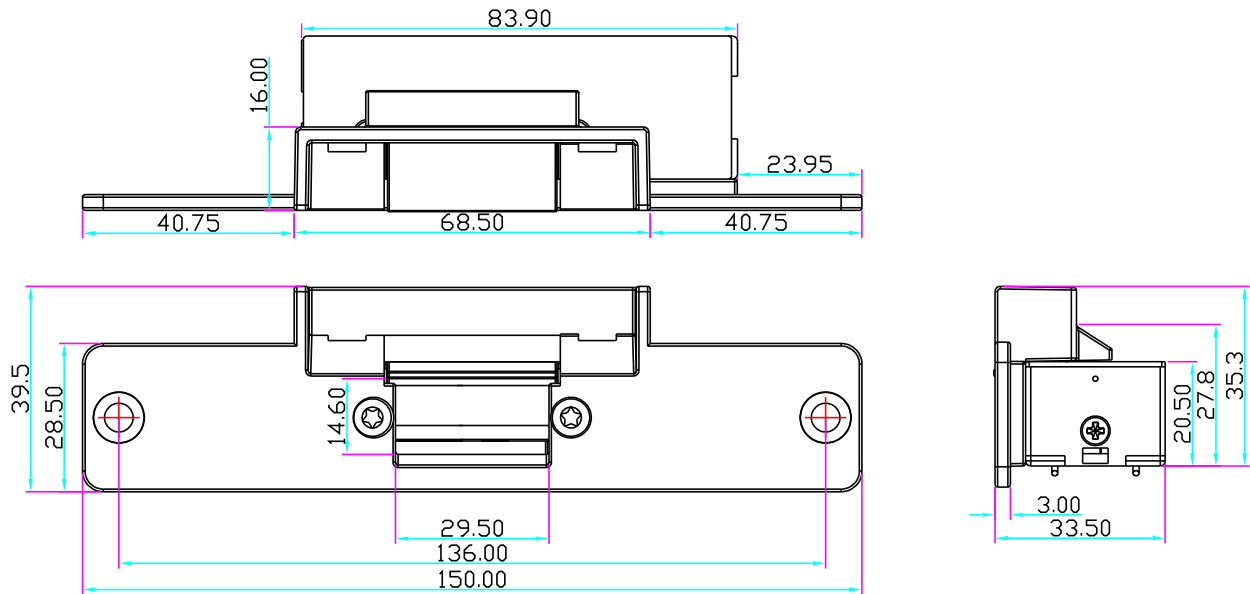


## Model:YS-130NO/NC

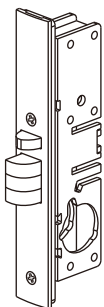
### Specification

<b>Size</b>	150Lx39.5Wx34.5H(mm)
<b>Voltage</b>	DC12V(Default); DC24V(Order)
<b>Current</b>	12V/240mA; 24V/120mA
<b>Feature</b>	FailSecure(YS-130NO) FailSafe(YS-130NC)
<b>Suitable For</b>	Wooden Door, Metal Door
<b>Finishing</b>	Electroplating
<b>Weight</b>	0.4kg

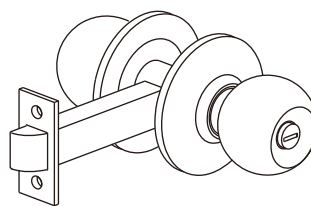
### Diagram(unit:mm)



### Options of Mechanical Lock

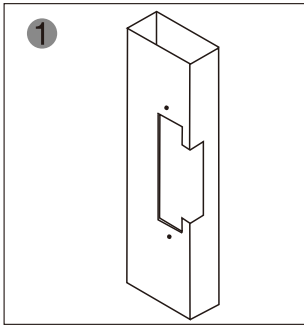


Mechanical Lock

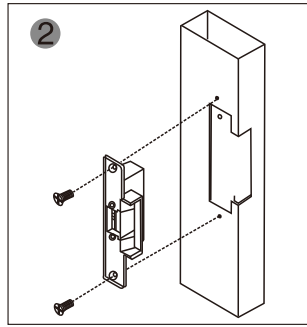


Knob lock

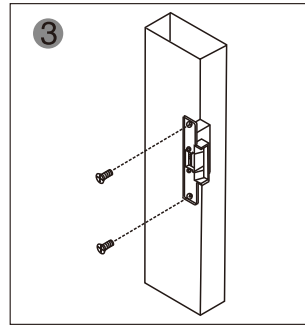
# Installation



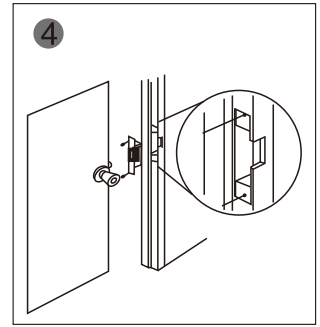
1 Cut hole according to the dimension of strike.



2 Assemble the lock and connect it to the power to test

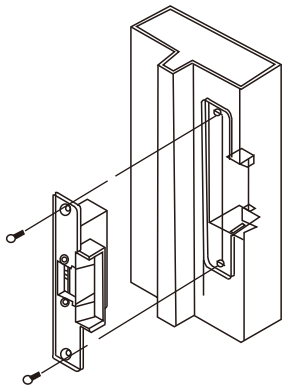


3 Fix the electric strike

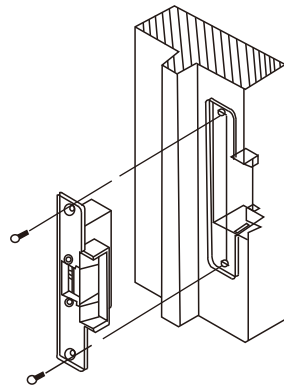


4 Finished

## Suitable for

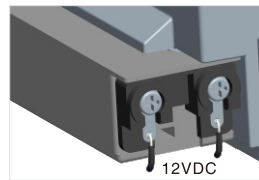
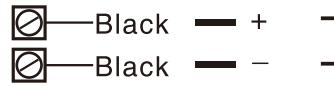


Metal Door Frame



Wooden Door Frame

## Wiring instructions



## Wire connection

